

LIVING & CO[®]

40cm Pedestal Fan



INSTRUCTION MANUAL

YF-ST1638

AFTER SALES SUPPORT

☎ NZ 0800 422 274

Contents

	Page
Important Safety Instructions	3
Product Overview	5
Getting Started	6
Instructions	10
Other Useful Information	13

Important Safety Instructions

READ CAREFULLY AND KEEP FOR FUTURE REFERENCE

Read this manual thoroughly before first use, even if you are familiar with this type of product. The safety precautions enclosed herein reduce the risk of fire, electric shock and injury when correctly adhered to. Make sure you understand all instructions and warnings. **Keep the manual in a safe place for future reference**, along with any warranty information, your purchase receipt and the original packaging carton. If you sell or transfer ownership of this product, pass on these instructions to the new owner. **Always follow basic safety precautions and accident prevention measures when using an electrical appliance, including the following:**

Electrical safety and cord handling

- **Voltage:** Make sure your outlet voltage and circuit frequency correspond to the voltage stated on the rating label. If this is not the case, do not use the fan.
- **Water:** To protect against fire and electric shock, do not immerse the cord, plug or the fan itself in water or other liquids, or expose the electrical connections to water. Ensure your hands are dry before handling the plug or switching on the appliance. Do not use the fan outdoors or on wet surfaces. Protect it from liquid spills.
- **Damage:** Check the power cord regularly for visible damage. If the cord is damaged, it must be replaced by the manufacturer, its authorised service centres or appropriately qualified personnel in order to avoid any hazards. **WARNING!** Do not pick up or operate the appliance if the power supply cord, plug or housing is damaged, or after it malfunctions or has been dropped or damaged in any manner. **In case of damage, contact our after sales support line for advice.**
- **Protect the power cord:**
 - * Do not operate the fan with the cord coiled up; always fully unwind.
 - * Do not twist or kink the cord or let it touch heated surfaces.
 - * Do not put any stress on the cord where it connects to the product.
 - * Never carry the fan by the cord.
 - * Arrange the cord away from any traffic area so no one will trip over it.
 - * Do not run the cord under carpeting or cover it with rugs or runners.
- **WARNING! No extension cord:** Do not use the fan with an extension cord, plug adaptor, external timer or solid-state speed control device.
- **Connection:** To insert the plug, grasp it firmly and guide it into outlet.
- **Disconnection:** Switch off and unplug the fan from the power outlet when it is not in use, during lightning storms and before cleaning, servicing, moving or storing the fan. Grasp the plug and remove it from the outlet, do not pull the cord when disconnecting.

Important Safety Instructions (Cont.)

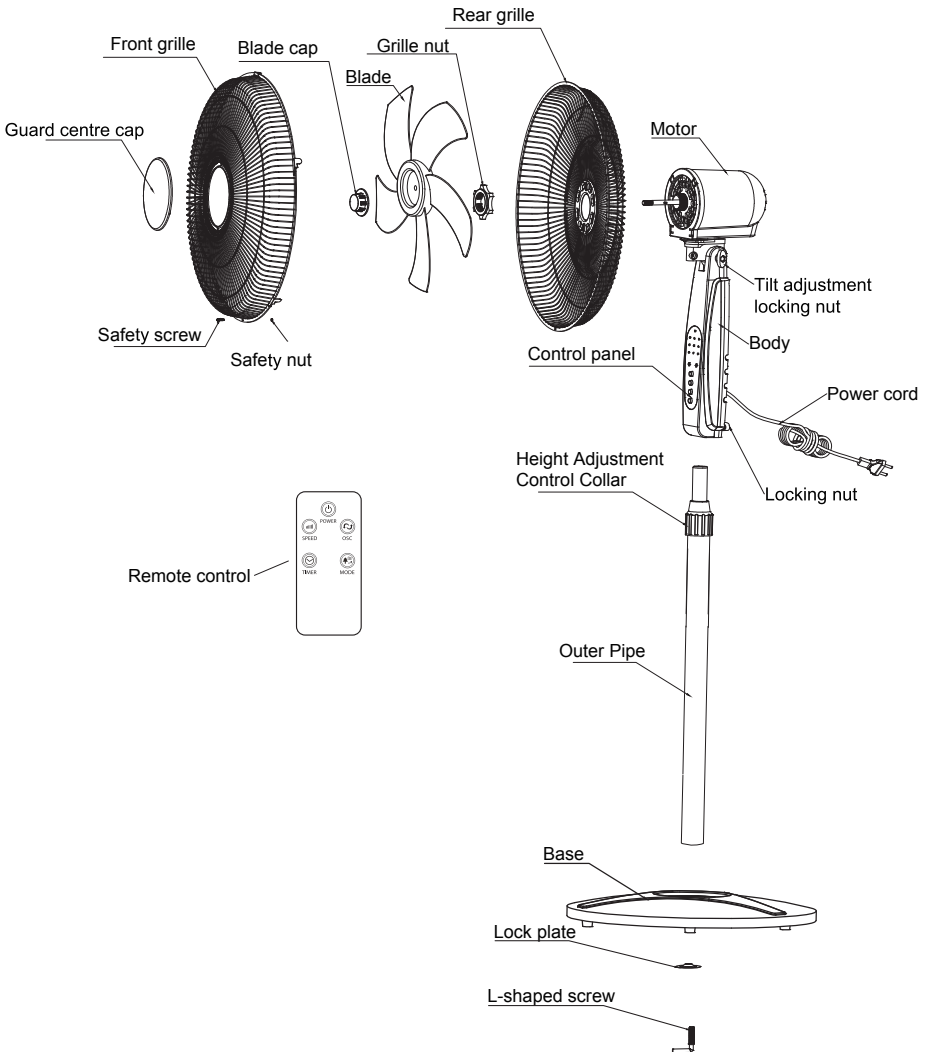
- **RCD:** Unless your home is already fitted with a residual current device (safety switch), we recommend installing an RCD with a rated residual operating current not exceeding 30mA to provide additional safety protection when using electrical appliances. See your electrician for professional advice.

Usage conditions and restrictions

- **Domestic use only:** This appliance is intended for indoor household use only. It is not suitable for commercial, industrial, trade or outdoor use. Do not use it for anything other than its intended purpose, and only use it as described in this manual. Any other use may cause fire, electric shock or injury.
- **No clothes drying:** Do not use this fan as a dryer.
- **Attachments:** The use of accessories not intended for use with this fan may cause injuries to the user or damage to the appliance.
- **Liability:** We assume no liability for any damages or personal injury caused by misuse of the product and/or failure to follow these instructions.
- **Usage restriction:** This fan is not intended for use by children and persons with reduced physical, sensory or mental capabilities, or lack of experience and knowledge, unless they have been given supervision or instruction concerning use of the appliance by a person responsible for their safety.
- **Children:** This fan is not a toy. Supervise children to ensure they do not play with it. Close supervision is necessary when any appliance is used by or near children.
- **WARNING! Do not leave unattended during use!** Always switch it off and unplug when not in use, if left unattended and before cleaning and storing.
- **Location:** Place the fan on a dry, flat, stable surface to avoid overturning.
- **Keep clear:** Ensure nothing is blocking the airflow outlet, air intake grilles or ventilation openings.
- **Proper assembly:** Do not operate the fan until fully assembled with all parts. Do not use the appliance without the protective grilles (rear and front guards). Do not attempt to force the grille in order to stop or start the fan.
- **WARNING! DO NOT use the fan in the following areas:**
 - * Near an open flame, a hot burner, oven or other source of high heat.
 - * On a soft surface (such as carpet) or where it may tip over during use.
 - * Outdoors or in areas of high humidity.
 - * In a bathroom, laundry area, near a sink, washer, pool or any source of water.
 - * Near curtains or in tight corners, to enjoy maximum airflow.
 - * In areas where paint, petrol, etc. is stored and there is a risk of explosion or fire from flammable gases, or in areas where substances are being sprayed.
- **CAUTION! Personal safety:** Avoid contact with moving parts. Never insert fingers, pencils or any other objects through the grilles when the fan is running, as this may cause electric shock and/or a fire hazard. Keep hair and loose clothing well away from the fan when it is in use.

Product Overview

Part identification list



NOTE:

Due to continued product improvement, images and illustrations in this manual may vary slightly from the product purchased. All images in this manual are for reference purposes only. Parts are not necessarily pictured to scale.

Getting Started

Before first use

- **Unpacking:** This product has been packaged to protect it against transportation damage. Unpack the appliance and keep the original packaging carton and materials in a safe place. It will help prevent any damage if the product needs to be transported in the future, and you can use it to store the appliance when it is not in use. In the event it is to be disposed of, please recycle all packaging materials where possible.

- **Safe packaging disposal:** Plastic wrapping can be a suffocation hazard for babies and young children, so ensure all packaging materials are out of their reach and disposed of safely.

- **Inspection:** Unwind the cord to its full length and inspect it for damage. Do not use the appliance if the appliance or its cord have been damaged or are not working properly.

In case of damage, contact our after sales support centre for advice on examination, repair or return of the damaged product.

- **Instructions:** Make sure you have read and understood all instructions and warnings in this manual. Refer to the Product Overview, page 5, to familiarise yourself with the product and identify all parts. Pay particular attention to the safety instructions.

- **Assembly:** Your new fan has been shipped unassembled to minimise packaging waste. It is easy to disassemble for cleaning and storage. Assembly instructions are provided on the following pages. The instructions on page 7 and the illustrations on pages 8 and 9 shows how all the parts fit together.

Getting Started (Cont.)

WARNING: Electric shock hazard!

Do not connect the fan to power until it is fully assembled.

ASSEMBLY INSTRUCTIONS:

1. Unscrew the **Height Adjustment Control Collar** from the **Outer Pipe** by turning counter-clockwise and set aside. Pull out the **Inner Pipe** all the way to the top. (You may have to pull it up from the bottom to get it up)
2. Set the **Base weight** together with **Base** on level dry surface and remove the **Lock Plate** and **L-shaped screw** from the **Outer Pipe**. Insert the **Outer Pipe** into the hole on the **Base**, turn the **Base** over and affix the **Outer Pipe** using the **L-shaped screw** and the **Lock Plate**. Tighten the screw firmly but do not over tighten. [refer Figure 1]
3. Replace the **Height adjustment Control Collar** and tighten by turning clockwise. [refer Figure 2]
4. Place the fan motor **Body** into the top of the inner pipe, tighten the **Locking nut**. [refer Figure 3]
5. Unscrew the Grille Nut on the front of the motor by turning counterclockwise.
6. Mount the **Rear Grille** to the motor front cover by matching 3 holes on the guard to the 3 round positioning knobs on the motor front cover. Push in firmly until the 3 knobs protrude through the 3 holes. [refer Figure 4]
7. Replace and tighten the **Grille Nut** by turning nut clockwise to hold the Rear Grille in place.
8. Put the Fan **Blade** onto the motor shaft by matching the shafts slots with the blades slot, tighten the **Blade** with **Blade Cap** by turning it counterclockwise. [refer Figure 5]
9. Test fan by rotating the **Blade** with your hands, make sure there isn't any contact with the nut. The fan **Blade** should rotate freely, otherwise repeat all steps again, beginning from step(4).
10. Place the **Guard centre cap** onto the Front Grille .
11. Mount **Front Grille** onto **Rear Grille** close the locking clips around the grille and then fit and tighten the safety screw and nut [refer Figure 7]

Figure 1

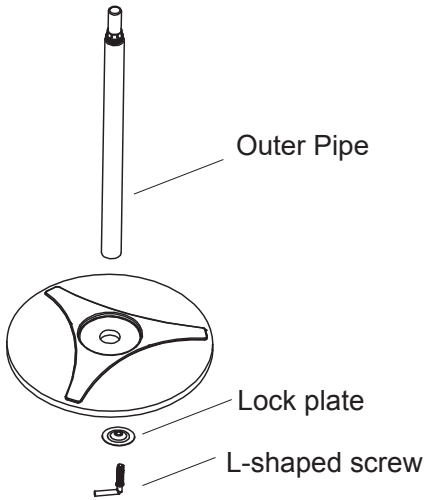


Figure 2

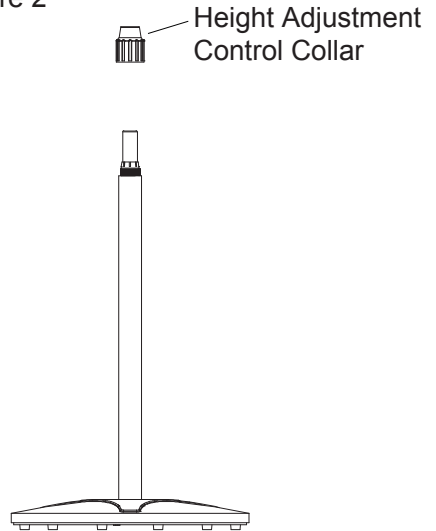


Figure 3

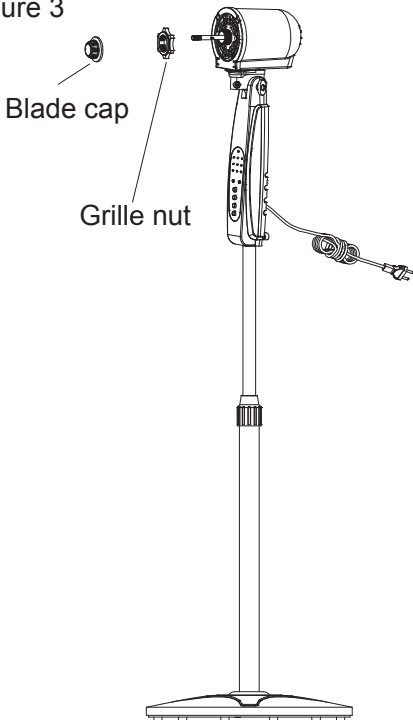


Figure 4

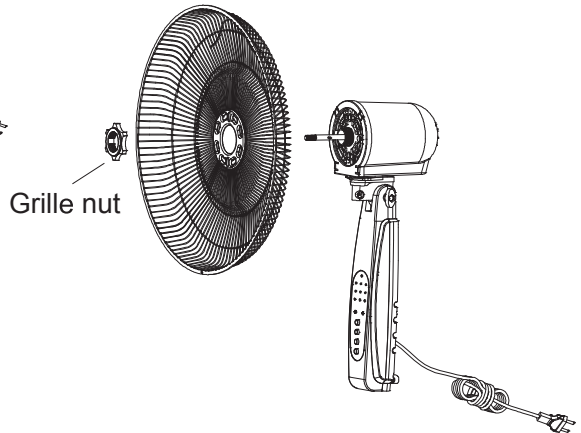


Figure 5

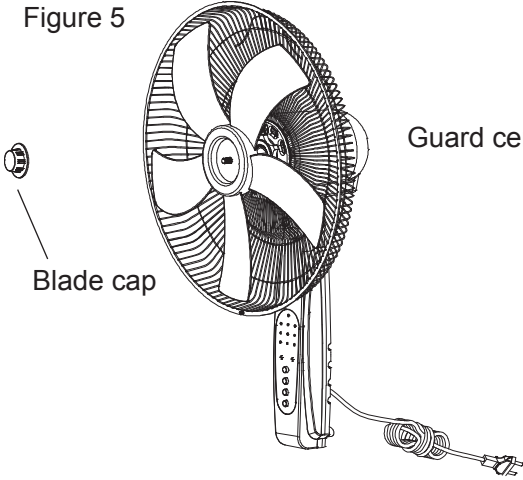


Figure 6

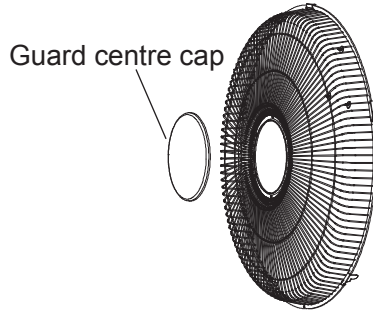
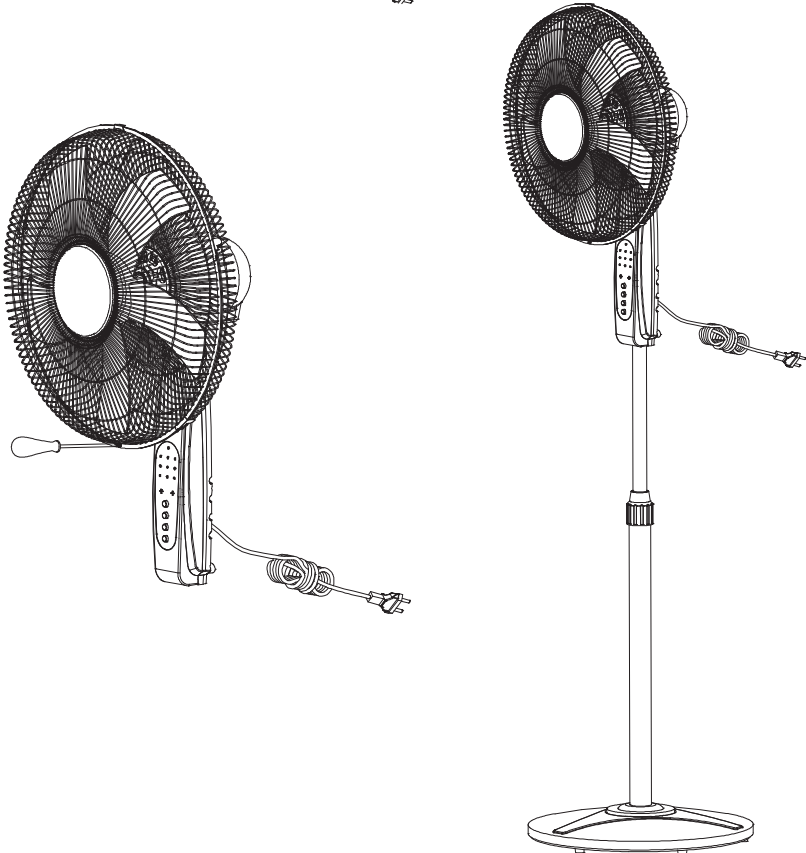


Figure 7



Instructions

Using the fan

- Decide on a location for the fan: convenient to a mains electrical supply socket. Place the fan on a dry, level surface floor where it will not overturn during use. If moving the fan to a different location, switch off and unplug it from the mains. Make sure the fan is switched to the OFF position, then insert the power plug into an appropriate electrical outlet and switch on power to the outlet.

Remote control operation (Fig.2a)

This fan is provided with a remote control device which allows control of 3 different fan speeds, 3 breeze modes, a 0.5 - 7.5hr timer. (You can also use the control panel to switch the fan on and off, select a speed, set the timer and control oscillation.)

When you use the remote control for the first time, pull out the insulation pad which is located near the battery compartment. (Fig. 2b). Pad can then be discarded.

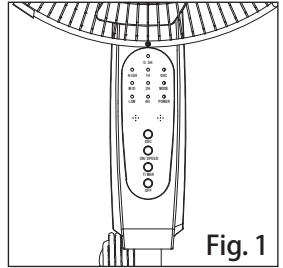


Fig. 1

ON/SPEED (Fig.1& Fig.2a)

- Press the ON/SPEED button (on the remote control or on the control panel) to switch on the fan. At first operation it will start at low speed. On subsequent operations the fan will start at the last selected settings.
- Press the ON/SPEED button again to select HIGH or LOW speed.

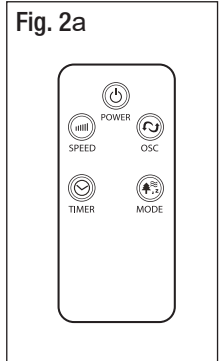


Fig. 2a

MODE(Fig.2a)

- Press the MODE button (on the remote control) to change the fan mode through different breeze modes.
- Normal: In this mode the fan operates at a constant speed. The mode indicator is red.
- Natural: In this mode the fan simulates a natural breeze mode by cycling on and off. The indicator is off.
- Sleep: In this mode the fan simulates a soft, natural breeze suitable for night-time use. The mode indicator is green.



Fig. 2b

Oscillation (Fig.1& Fig.2a)

- Press the OSC button (on the remote control or on the control panel) to activate the oscillation function for widespread breeze distribution.
- Press the button again to stop oscillation when the fan head is in the desired position.

CAUTION: Do not reach across the front of the fan when operating the oscillation control to avoid the possibility of your clothing, sleeves, etc. entering and getting caught in the front guard.

TIMER (Fig.1& Fig.2a)

Press the TIMER button (on the remote control or on the control panel) to set the timer in increments of 0.5 hour to a maximum of 7.5 hours. After the timer runs out, the fan will automatically shut off. There are four indicator lights for the timer: 0.5h, 1h, 2h, 4h. For example:

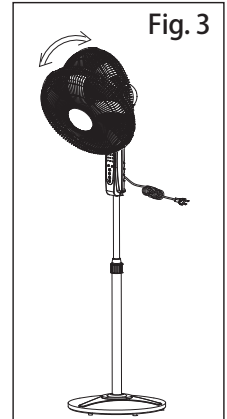
- 0.5h illuminated indicates the timer will shut off after 30 minutes.
- 0.5h and 2h illuminated indicates it will shut off after 2.5 hours.
- 0.5h, 1h, 2h and 4h illuminated indicates it will shut off after 7.5 hours.

Tilt adjustment

The fan head assembly can be tilted to direct the breeze upwards or downwards to your desired angle (Fig. 3).

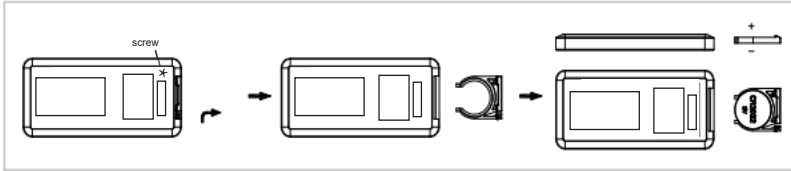
- Make sure the fan is unplugged from the power supply before adjusting the tilt angle.

CAUTION: Do not tilt back the fan head further than it is intended to go. Doing so will damage the unit.



Battery replacement

If the battery in the remote control is flat, a new CR2025 (or equivalent) battery needs to be inserted. Follow the instructions below, as illustrated.



- Remove the retaining screw using a small cross head screw driver.
- Push the locking tab to one side and pull out the battery compartment at the back side of remote control.
- Remove the old battery from the remote control and insert a new one of the same type, observing the battery polarity, as illustrated.
- Push the battery compartment back into the remote control.
- Refit the retaining screw, ensure fully inserted but do not over tighten.



BATTERY WARNING: KEEP OUT OF REACH OF CHILDREN.
Swallowing may lead to serious injury or death in as little as 2 hours due to internal burns. If swallowed go straight to a medical emergency room. Dispose of used batteries immediately.

Other battery precautions

- Do not open the batteries or short-circuit them.
- Due to increased risk of leakage, empty batteries should be removed. The batteries should also be removed from the remote control if it is not being used for long periods (greater than several months).
- Only dispose of batteries when they are fully discharged.
- Never throw batteries into a fire or subject batteries to high temperatures.
- Used batteries should not be disposed of in household waste. Dispose of them in accordance with statutory regulations.

Other Useful Information

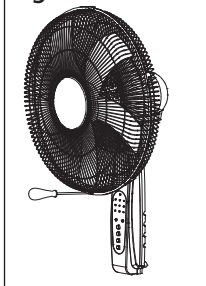
WARNING!

- Before cleaning, maintenance or moving the fan, and before removing a front or rear grille, switch off the fan and unplug it from the wall outlet.
- Do not immerse the fan in water or other liquids. Do not spray it with liquids. Do not allow water to drip on or into the fan motor housing.
- Never use petrol, solvents, harsh detergents, or abrasive or alkaline cleaners on the fan.

Cleaning and maintenance

- **Dusting:** Clean your fan periodically by lightly running a vacuum cleaner nozzle (soft brush) over the front and rear grilles to remove any dust or dirt that may have accumulated inside or on the unit. Alternatively, use a soft, dry cloth for dusting.
- **Stubborn stains:** Use a slightly damp, soapy cloth for stubborn stains but be sure the cloth is not too wet. Use caution around the motor housing. Do not allow the motor or other electrical components to be exposed to water.
- **Blade cleaning:** If the blades need cleaning, first remove the front grille by loosening the fan grille securing clips along with securing screw (refer Product Specifications Page 5) (Fig.4). Wipe the blades clean using a damp cloth, dry thoroughly. Refit the front grille and ensure all the screws and washers are inserted and tightened properly.
- **Storage:** In the off season, store the clean and dry fan in a safe, dry location, protected from dust. We recommend using the original carton for storage of the disassembled product (follow the assembly instructions in reverse order to disassemble). Alternatively, place a large plastic bag or old towel over the top of the cleaned appliance for dust protection.
- **Service/repair:** The appliance requires no maintenance and contains no user-serviceable parts. Do not attempt to take the motor unit apart, repair or modify it. Do not operate the fan if its power cord or plug is damaged, or when it is working abnormally. In case of damage or malfunction, or if the cord is damaged, have the unit repaired by trained personnel only, or contact the after sales support line for advice on repair or replacement.
- **Before phoning for a service,** please ensure that your fan is properly assembled and all parts are undamaged and in good working order. Also ensure that the front and rear grilles are clean and free of obstructions and that the fan is properly connected to your power supply.

Fig.4



Other Useful Information (Cont.)

Technical specifications

Power	55W, 220-240V AC, 50Hz
Fan speeds	3 (Low - Medium - High)
Dimensions (mm)	1250(H) x 430(L) x 400(D)
Weight	approx. 4.93 kg

Compliance

This appliance has been fully tested and meets all requirements as set out by standards AS/NZS 60335.1 and AS/NZS 60335.2.80.



E2198

The RCM Mark (Regulatory Compliance Mark) indicates that the product complies with the relevant guidelines of the ACMA as well as corresponding government requirements for the safety of electrical devices.

Responsible disposal

- At the end of its working life, make the appliance unserviceable by unplugging it from the power outlet and cutting the power cord.
- Do not throw this appliance out with your household rubbish. Electrical and electronic products contain substances which can have a detrimental effect on the environment and human health if disposed of inappropriately. Observe any local regulations regarding the disposal of electrical consumer goods and dispose of it appropriately for recycling. Contact your local authorities for advice on recycling facilities in your area.



LIVING & CO[®]

Warranty

We pride ourselves on producing a range of quality home appliances that are both packed with features and completely reliable. We are so confident in our products, we back them up with a 1 year warranty.

Now you too can relax knowing that you are covered.

Customer Helpline NZ: 0800 422 274

This Product is covered by a 1 year warranty when accompanied by proof of purchase.

IM Version 1.0 - MAY 2018